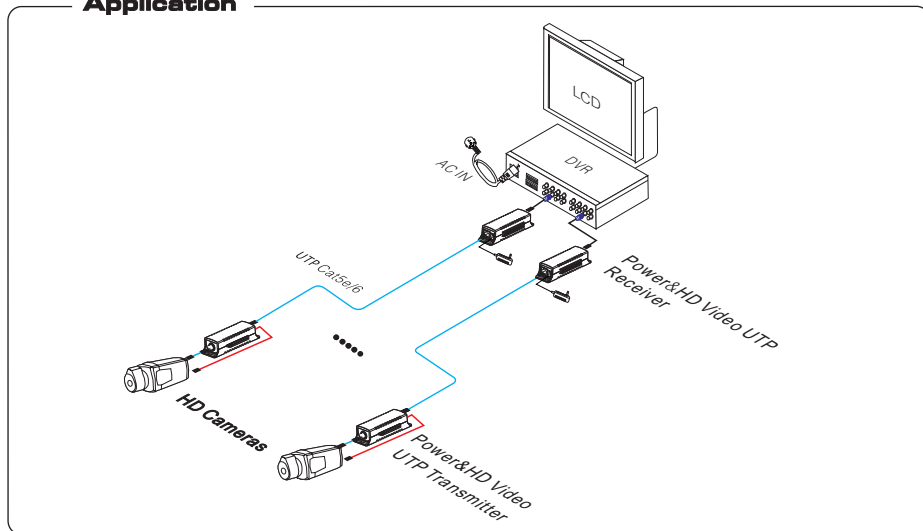


# HD Analog Video & Power UTP Transceiver User Manual

VerB 1.0

The 1ch HD analog video & power transceiver transfers real-time analog video signal, supplies stable 12V/0.8A DC power for the remote cameras through Cat5/5e/6 cable, and passes back video signal up to 300m. It is compatible with analog video signals of CVBS, HDCVI, HDTV, and AHD. The transceiver consists of SV unit connecting with DVRs and RM unit with cameras. It features protection of short-circuit & over-current & over-temperature, over-current LED, and independent power protection. The transceiver with small volume and joinable design fits easily in many locations. (e.g., villa, super market, office, hotel)

## Application



## Feature

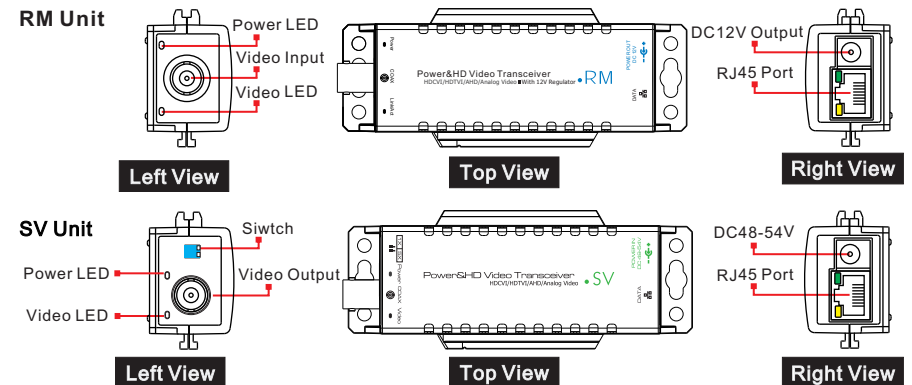
- Transfer video and power signal in real-time via single cable, active video transmission solution, max. 300m transmission distance;
- HDCVI, HDTV, AHD, CVBS signals 4in1 full compatible design;
- Output steadying voltage 12V/0.8A at RM side;
- Short-circuit, over-current, over-temperature protection and over-current abnormality LED indication;
- Superior surge immunity, ESD protection;
- Combined connection available, optional MIT rack, which satisfy multi channels centralized application.

## Notice

- 1) Standard Cat5e/6 cable and 75-4 or above coax are strongly suggested for reaching the maximum transmission distance!
- 2) Please use standard UTP cable and coax to ensure the stable transmission.

# HD Analog Video & Power UTP Transceiver

## Panel Diagram



## Installation Steps

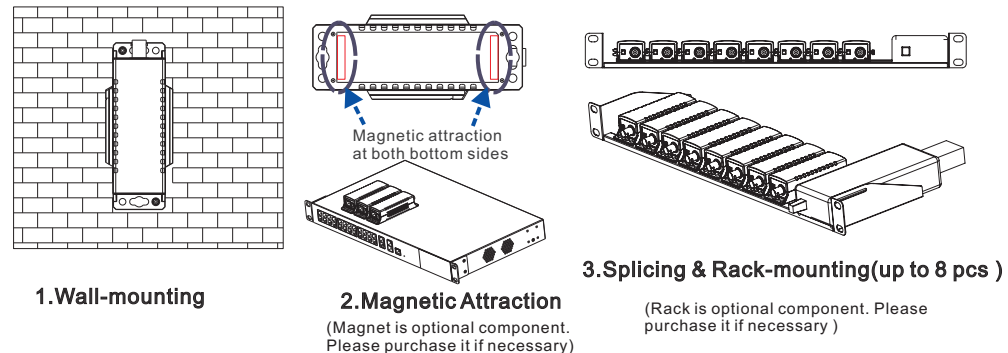
Please check the following items before installation, if it is missing, please contact the dealer.

- RM Unit 1pc
- SV Unit 1pc
- DC Jump Wire 1pc
- User Manual 1pc

Please follow installation steps as below:

- 1) Turn off the power of all the related devices before the installation; otherwise the device would be damaged;
- 2) Check if the any cable has been occupied by other device;
- 3) Connect power port and BNC port of RM unit to the corresponding ports of other devices (e.g., camera);
- 4) Connect Ethernet ports of RM unit and SV unit by Ethernet cable;
- 5) Connect the input port of display device and BNC port of SV unit by coaxial cable;
- 6) Connect power adapter to the SV unit;
- 7) Double check the installation and connection of equipments are correct and the equipments are working properly, then power on system;
- 8) Make sure image displays and other devices are working.

## Installation Methods



1. Wall-mounting

2. Magnetic Attraction

(Magnet is optional component. Please purchase it if necessary)

3. Splicing & Rack-mounting (up to 8 pcs)

(Rack is optional component. Please purchase it if necessary)

**Specification**

Item		Parameter	
		RM Unit	SV Unit
Function	Transfer Signal Number	1x Group(Video+DC Power)	1x Group(Video+DC Power)
	Transmission Distance (Max.)	300m	
Power Supply	Voltage Input	DC15-54V	DC48-54V
	Voltage Output	12VDC	DC48-54V
	Power Consumption(Max.)	10W	Optional
Video Performance & Connector	Video Connector	1xBNC(Male)	
	Ethernet Port	1xRJ45	
	Compatible Video Type	HDCVI,HDTVI, AHD, CVBS Signal	
	Transfer Bandwidth	0-75MHz	
	RJ45 Indicator	Green Light Solid on: Working Normal; Off: Not Work or Fault	
		Yellow Light Solid on: Over-current, Short-circuit; Off: Working Normal	
Anti-interference	> 60dB		
Protection Level	Surge Protection of Power Port	500V Differential-mode Per:IEC61000-4-5	
	Surge Protection of Coaxial Port	2KVDifferential-mode Per:IEC61000-4-5	
	Surge Protection of Ethernet Port	Signal Line-pair: 2KV Differential-mode Power Line-pair : 500V Differential-mode Per:IEC61000-4-5	
	ESD Protection	1a Contact Discharge 6KV 1b Air Discharge 8KV Per:IEC61000-4-2	
Operation Environment	Operation Temperature	-10°C-55°C	
	Storage Temperature	-45°C-75°C	
	Humidity	0-95%(Non-condensing)	
Mechanics	Dimension	113mm×45.5mm×29mm	
	Material	Refractory ABS Plastics	
	Color	Black	
	Weight	65g	

Product parameters are subject to change without prior notice!

**Transmission Distance Table(Recommended)**

Signal Type	HDCVI 720P	HDCVI 1080P	AHD 720P/960P	AHD 1080P	HDTVI 720P	HDTVI 1080P
Transmission Distance	400m	250m	700m	400m	300m	200m

**Adjustment Diagram**

The transmission distances of different signals correspond to different switch settings as below:

HDCVI720P	0-300m		300-400m			
	RM Unit	SV Unit	RM Unit	SV Unit		
Switch Setting						
HDCVI1080P	0-150m		150-200m		200-250m	
	RM Unit	SV Unit	RM Unit	SV Unit	RM Unit	SV Unit
Switch Setting						
AHD720P/960P	0-500m		500-700m			
	RM Unit	SV Unit	RM Unit	SV Unit		
Switch Setting						
AHD1080P	0-50m		50-400m			
	RM Unit	SV Unit	RM Unit	SV Unit		
Switch Setting						
HDTVI720P	0-150m		150-200m		200-300m	
	RM Unit	SV Unit	RM Unit	SV Unit	RM Unit	SV Unit
Switch Setting						
HDTVI1080P	0-200m					
	RM Unit	SV Unit				
Switch Setting						

**Notice**

Please follow the steps for troubleshooting if power cuts or image displays abnormally under the longest transmission distance:

- Restore switch of SV unit on 5X mark;
- Reboot;
- Adjust the switch when DVR works smoothly.